

# ISB Series

## Self-Contained Industrial Strobe Beacons

### Larger Profile Industrial Warning Strobes.

ISB Series Strobes are heavy-duty, larger-sized warning beacons which feature CometFlash® (a flash pattern for superior warning and signaling capability). The smooth outer domes are shatter resistant and feature internal optics for maximum strobe light dispersion. To ensure long life and low maintenance, all circuit boards are double epoxy dipped and the Xenon flash tube assembly is vibration resistant. The cast aluminum base is fully enclosed with a satin black powder finish and provides combination flat and 1" NPT pipe mounting. It attaches to the dome via a nylon clamp ring which is easily removed, but provides a weather resistant seal. ISB is available in all five safety colors; split domes are optional. Size and rugged construction make the ISB strobe beacon the ideal choice for emergency warning or signaling applications both in-plant and on utility, maintenance and construction vehicles.

#### FEATURES

- Heavy duty, large sized, self-contained strobe beacon.
- U.L. Listed for indoor and outdoor use.
- 80 CometFlashes per minute for excellent warning and signaling capability.
- Cast aluminum base provides combination flat and 1" NPT pipe mounting.
- Reliable, easy to service electronic operation.
- Smooth outer dome is shatter resistant and available in all five safety colors; split domes are optional.
- Dimensions:  
Height 6-1/2" (165mm).  
Diameter: 7-1/2" (191mm).  
Weight: 3 lbs. 5 oz.

#### MODELS

- Model ISB24  
12/24 VDC, 80 CometFlashes per minute, aluminum base.
- Model ISB120  
120 VAC, 80 CometFlashes per minute, aluminum base.

**WHELEN**<sup>®</sup>  
ENGINEERING COMPANY, INC.



# ISB Series

## Specification Data

### TECHNICAL SPECIFICATIONS

MODEL	VOLTAGE	CURRENT (AMPS)	FPM	CANDELA	MOUNT
ISB24*	12/24 VDC	1.75	80	760	Combination
ISB120*	120 VAC	0.4	80	740	Combination

\*Select Color: **A** - Amber, **B** - Blue, **C** - Clear, **G** - Green, **R** - Red.

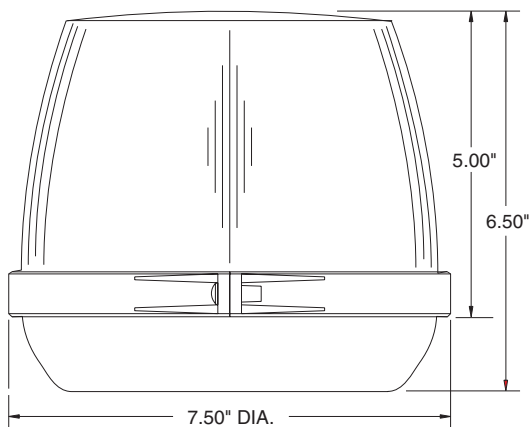
# WHELEN®

ENGINEERING COMPANY, INC.

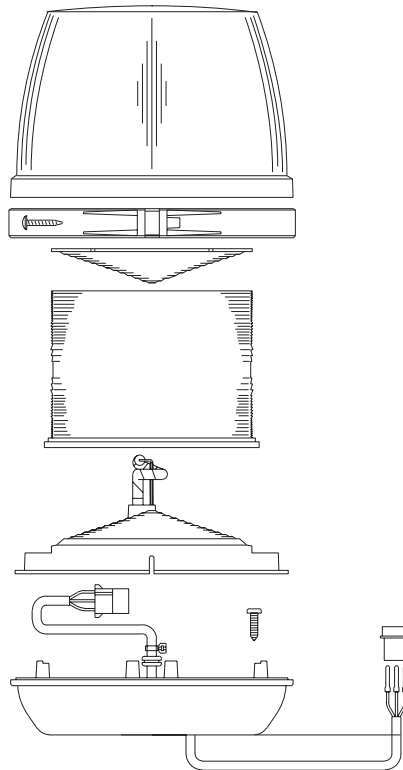
HSS Engineering  
 Bredskiftevej 12  
 8210 Aarhus V Denmark  
 Tel: +45 70228844  
 Fax: +45 70228866  
 Email: hss@hss.dk

Whelen Engineering Company, Inc.  
 reserves the right to upgrade its products with  
 design improvements without notification.  
 ©1999 Whelen Engineering Company, Inc.  
 Printed in the U.S.A.  
 071499-ISBPB-10204C

### DIMENSIONS



### EXPLODED VIEW



### REPLACEMENT PART NUMBERS

ISB24, ISB120	HIGH DOME	
	Plastic Dome, Amber	.....68-2180347-10
	Plastic Dome, Blue	.....68-2180347-20
	Plastic Dome, Clear	.....68-2180347-30
	Plastic Dome, Green	.....68-2180347-40
	Plastic Dome, Red	.....68-2180347-50
ISB24, ISB120	Flashtube	.....01-0461488-00C

### HOW TO ORDER

Model ISB		Code	Color
Code	Voltage	A	Amber
24	12/24 VDC	B	Blue
120	120 VAC	C	Clear
		G	Green
		R	Red